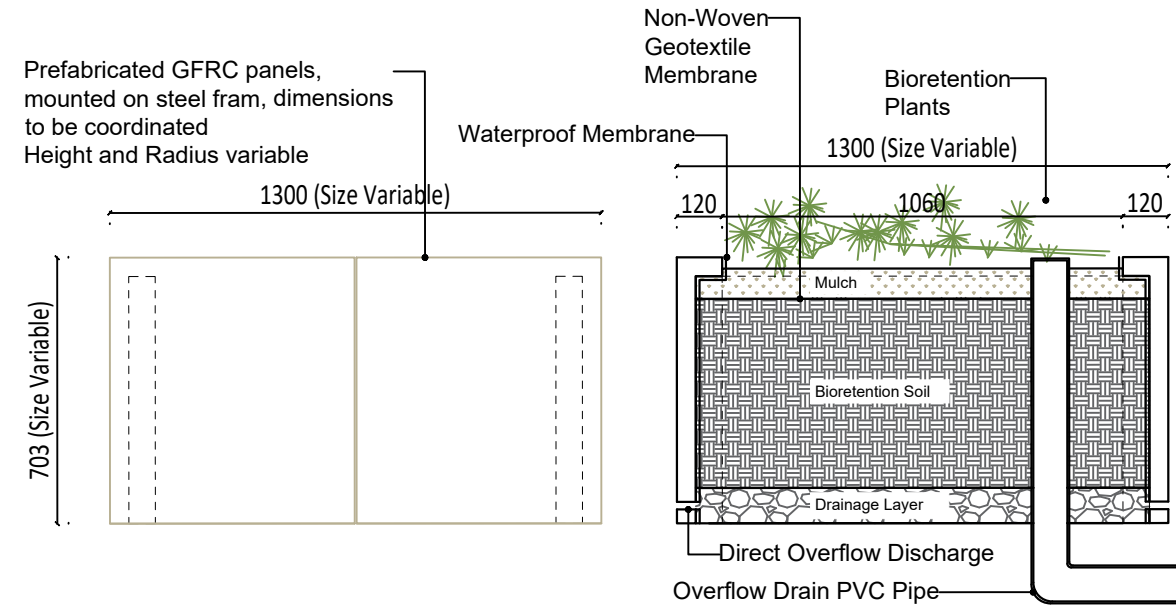
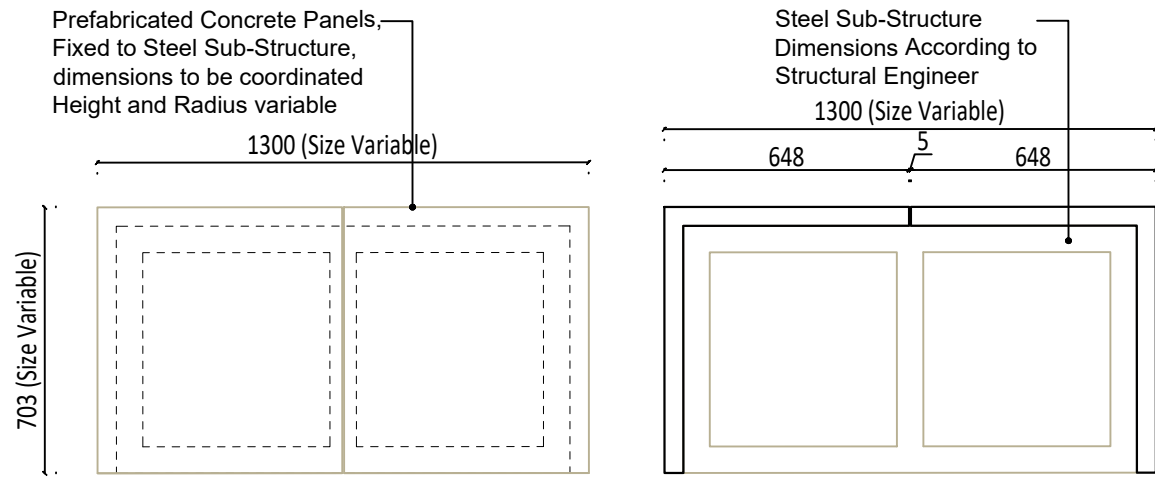


Stepping Circular Concrete Element

Stepping Circular Concrete Element (With Landscape)

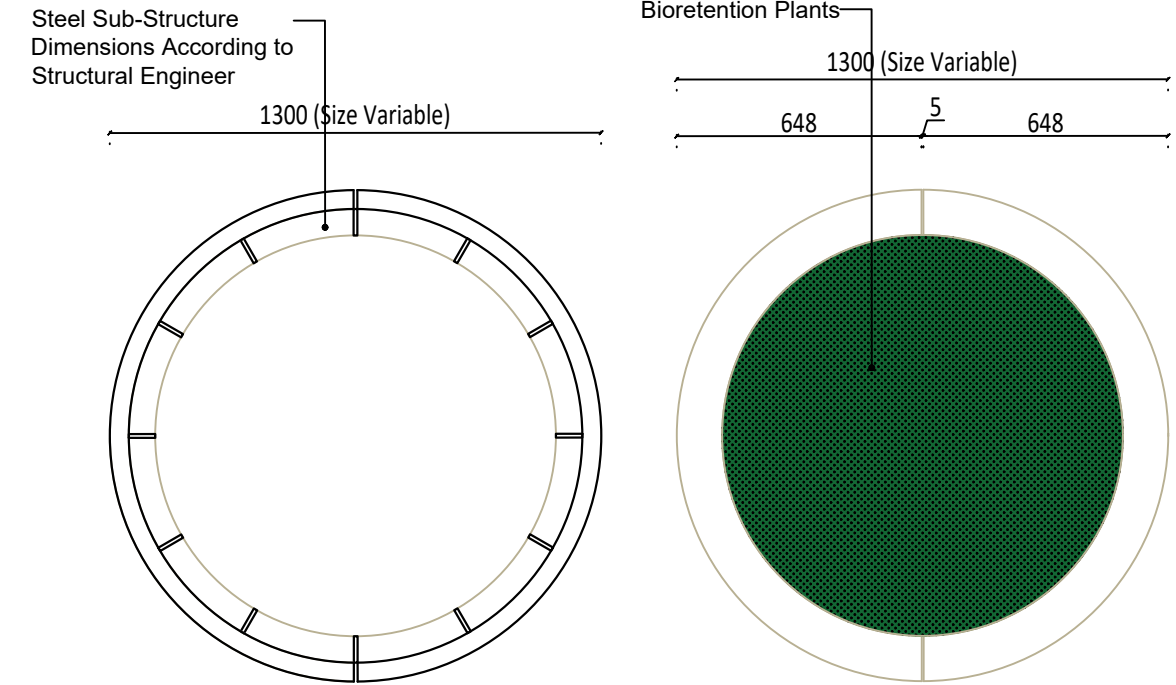
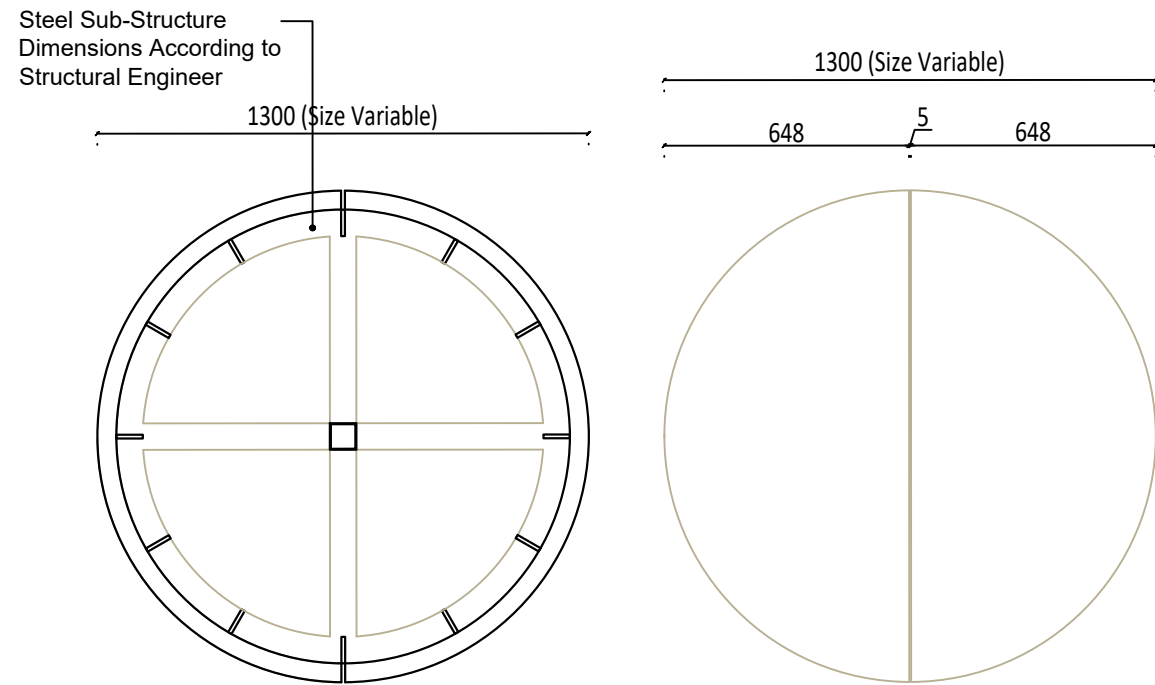


ELEVATION
1:20

SECTION
1:20

ELEVATION
1:20

SECTION
1:20



PLAN
1:20

TOP VIEW
1:20

PLAN
1:20

TOP VIEW
1:20

CLIENT
Louth County Council

PROJECT
Westgate 2040, Drogheda

DRAWING
Detail Drawing 9 - Stepping Circular Concrete Element George's Square

PROJECT NUMBER
LOUB3004

DRAWING NUMBER AUTHOR
LOUX3001-P-000-137-A RPS

REVISION STATUS
N/A

DATE SCALE
28.08.2023 1:20 @ A3

ADDRESS

ARROW Nørre Farimagsgade 13, Mezz. Th. 1364 Copenhagen K	Turley 40 Queen Square, Bristol BS1 4QP
---	--